

 **DALLAS
SPECIALTY
& MFG CO.**

PLUMBING, WATERWORKS, IRRIGATION & **MORE**



MORE PRODUCTS FOR IN-GROUND VALVE & METER PROTECTION

1161 RUGGLES ST. GRAND PRAIRIE, TX 75050
800-222-5644 • 972-641-8444 • Fax 972-641-8488
www.dallasspecialty.com

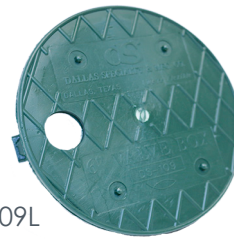
DS109 Series

Sprinkler Valve / Access Box

6-1/4" Round x 9" Deep

Heavy Duty, Durable Valve Box for commercial & residential use to protect & conceal sprinkler system valves and components.

DS109L



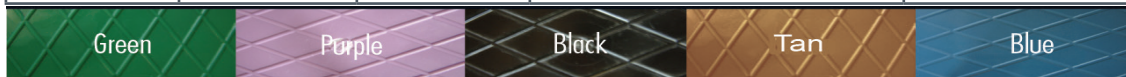
Plug to prevent debris & dirt

| Part# | Size | Qty |
|--------|--------|-----|
| DS-MHS | 1-1/4" | 100 |



DS109

| PART# | LID COLOR | LID TYPE | BOX COLOR & TYPE | LID MARKINGS | CASE / PALLET |
|-----------|-----------|----------|----------------------------------|-------------------|---------------|
| DS109B | — | — | BLACK BOX W/SINGLE OUTLET | — | 36 cs / 720 |
| DS109 | GREEN | SOLID | BLACK BOX W/SINGLE OUTLET | | 36 cs / 720 |
| DS109SWR | GREEN | SOLID | BLACK BOX W/SINGLE OUTLET | "SEWER" | 36 cs / 720 |
| DS109W | GREEN | SOLID | BLACK BOX W/SINGLE OUTLET | "WATER" | 36 cs / 720 |
| DS109NH | GREEN | SOLID | BLACK BOX W/ SINGLE OUTLET | NO HOLE IN LID | 36 cs / 720 |
| DS109L | GREEN | SOLID | — | LID ONLY | 50 cs |
| DS109SWL | GREEN | SOLID | — | "SEWER" | 50 cs |
| DS109NHL | GREEN | SOLID | — | NO HOLE IN LID | 50 cs |
| DS109WL | GREEN | SOLID | — | "WATER" | 50 cs |
| DS109BLK | BLACK | SOLID | BLACK BOX W/SINGLE OUTLET | | 36 cs / 720 |
| DS109BLKL | BLACK | SOLID | | LID ONLY | 50 cs |
| DS109SCI | BLACK | SOLID | BLACK BOX W/ SOLID CAST IRON LID | | EA |
| DS109SCIL | BLACK | SOLID | | LID ONLY | EA |
| DS109LP | PURPLE | SOLID | | "RECLAIMED WATER" | 50 cs |
| DS109P | PURPLE | SOLID | BLACK BOX W/SINGLE OUTLET | "RECLAIMED WATER" | 36 cs / 720 |
| DS109BLU | BLUE | SOLID | BLACK BOX W/SINGLE OUTLET | "WATER" | 36 cs / 720 |
| DS109BLUL | BLUE | SOLID | — | "WATER" | 50 cs |
| DS109TL | TAN | SOLID | — | LID ONLY | 50 cs |
| DS109T | TAN | SOLID | BLACK BOX W/ SINGLE OUTLET | | 36 cs / 720 |



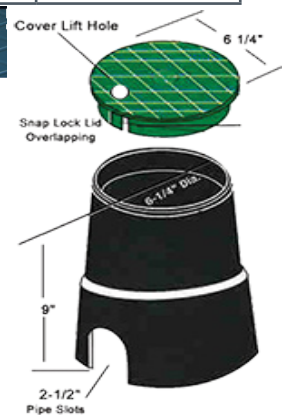
• Available in a variety of colors & markings

Material / Specifications

- Made in USA
- Injection Molded Boxes & Lids
- Polypropylene, dyes & other additives
- To prevent fading UV resins used in all Lids
- Customization available: colors, markings & finishes
- Box is tapered for easy nesting & stacking
- Solid Cast Iron Lids available for limited traffic such as driveways, sidewalks and walkways

Options / Additions

- Side Outlets: 2-1/2" pipe slot outlet
- Easy Snap-Down Lid for a tight flush fit
- Hole in lid for easy access
- Overlapping Lids add strength for light traffic area's
- Lids available in various colors
- Economy size 6" Round Valve Box used for Sprinkler System applications and in-ground access.
- 9" Deep Box is easily extended by use of 6" PVC Pipe



| BOX & LID DIMENSIONS | | | |
|----------------------|-----------|-----------|-----------|
| Lid / Overlapping | | 6-1/2" OD | 1.5" Deep |
| Lid / Base | 5-1/4" ID | 5-1/2" OD | |
| Body / Top | 6-1/4" ID | 6-1/2" OD | |
| Body / Base | 7-1/2" ID | 7-3/4" OD | |
| Body / Depth | | | 9" Deep |
| Pipe Slots | 2-1/2" ID | | |

| PROPERTIES | ASTM | TEST VALUE |
|---------------------------------|--------|----------------|
| Tensile strength at yield | D-638 | 3480PSI |
| Density | D-792 | 0.918 |
| Durometer / Shore D | D-2240 | 0.825 |
| Deflection Temperature | D-648 | 200°F @ 66PSI |
| IzOD Impacted Notched at 23°C | D-256 | 1.05 ft lbs/in |
| IzOD Impacted Unnotched at 18°C | D-256 | 5.3 ft lbs/in |

Independent Test Lab Results



DALLAS SPECIALTY & MFG. CO.

1161 RUGGLES ST GRAND PRAIRIE, TX 75050

972-641-8444 * 1-800-222-5644 * fax 972-641-8488

www.dallasspecialty.com



DS1100 Series

Sprinkler Valve / Access Box 9-1/8" Round x 10" Deep

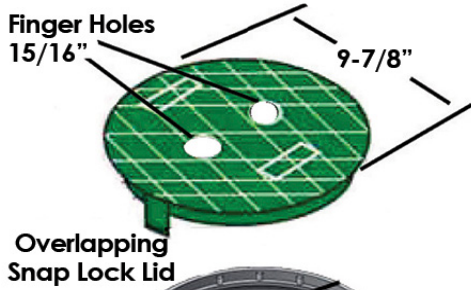
Heavy Duty, Durable Valve Box for commercial & residential use to protect & conceal sprinkler system valves and components.



DS1100L



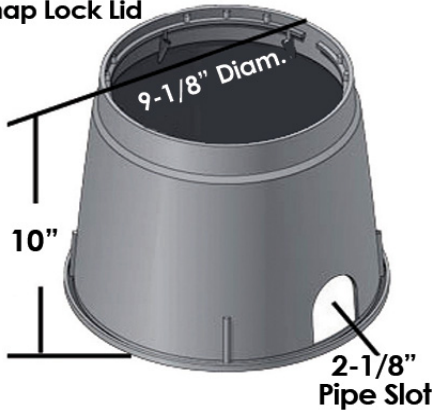
DS1100



Finger Holes
15/16"

9-7/8"

Overlapping
Snap Lock Lid



9-1/8" Diam.

10"

2-1/8"
Pipe Slot



Plug to prevent debris & dirt

| Part# | Size | Qty |
|--------|--------|-----|
| DS-MHS | 1-1/4" | 100 |

Standard 10" Round Box

| PART # | LID COLOR | LID TYPE | LID MARKINGS | LID/ BOX | CASE | PALLET |
|----------|-----------|----------|-----------------|----------|------|--------|
| DS1100B | | | | BOX ONLY | | 99 |
| DS1100L | GREEN | SOLID | VALVE BOX | LID ONLY | 25 | |
| DS1100 | GREEN | SOLID | VALVE BOX | | | 99 |
| DS1100S | GREEN | SOLID | SEWER | | | 99 |
| DS1100SL | GREEN | SOLID | SEWER | LID ONLY | 25 | |
| DS1100W | GREEN | SOLID | WATER | | | 99 |
| DS1100WL | GREEN | SOLID | WATER | LID ONLY | 25 | |
| DS1100P | PURPLE | SOLID | RECLAIMED WATER | | | 99 |
| DS1100PL | PURPLE | SOLID | RECLAIMED WATER | LID ONLY | 25 | |

• Continued/ more options page 4

Material / Specifications

- Made in USA
- Injection Molded Boxes & Lids
- Polypropylene, dyes & other additives
- To prevent fading UV resins used in all Lids
- Customization available: colors, markings & finishes
- Box is tapered for easy nesting & stacking
- Solid Cast Iron Lids available for limited traffic such as driveways, sidewalks and walkways

Options / Additions

- Side Outlets: 2-1/8" pipe slot outlet
- Easy Snap-Down Lid for a tight flush fit
- Hole in lid for easy access
- Overlapping Lids add strength for light traffic area's
- Lids available in various colors
- Used in sprinkler system & in-ground yard access applications
- For water meters, valves & piping systems

| BOX & LID DIMENSIONS | | | |
|----------------------|------------|------------|-------------|
| Lid / Overlapping | | 9-7/8" OD | 2" Deep |
| Lid / Base | 8-3/4" ID | 9" OD | |
| Body / Top | 9-1/8" ID | 9-5/8" OD | |
| Body / Base | 11-5/8" ID | 13-1/4" OD | |
| Body / Depth | | | 10" Tall |
| Pipe Slots | 2-1/8" ID | | 2-1/2" Tall |

| PROPERTIES | ASTM | TEST VALUE |
|---------------------------------|--------|----------------|
| Tensile strength at yield | D-638 | 3480PSI |
| Density | D-792 | 0.918 |
| Durometer / Shore D | D-2240 | 0.825 |
| Deflection Temperature | D-648 | 200°F @ 66PSI |
| IZOD Impacted Notched at 23°C | D-256 | 1.05 ft lbs/in |
| IZOD Impacted Unnotched at 18°C | D-256 | 5.3 ft lbs/in |

Independent Test Lab Results



DALLAS SPECIALTY & MFG. CO.

1161 RUGGLES ST GRAND PRAIRIE, TX 75050

972-641-8444 * 1-800-222-5644 * fax 972-641-8488

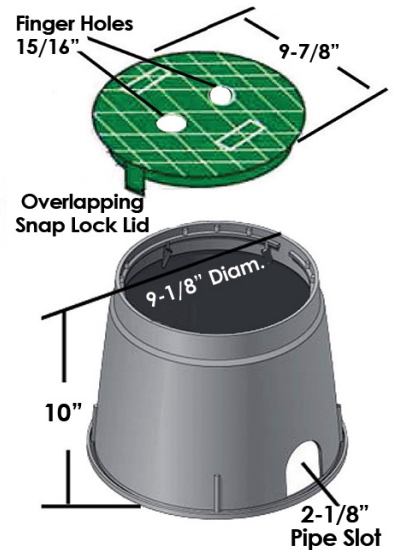
www.dallaspecialty.com



DS1100 Series

10" Round Valve/ Access Box
9-1/8" Round x 10" Deep

Ideal size for valves access. Heavy Duty, and Durable Valve Box for commercial & residential use to protect & conceal sprinkler system valves and components. UV Resins used to prevent fading.



DS1100

| PART# | LID COLOR | LID TYPE | BOX / COLOR & TYPE | SPECIALTY MARKINGS | PALLET/CASE |
|---------------|-----------|----------|----------------------------|--------------------|-------------|
| DS1100B | — | — | BLACK BOX W/SINGLE OUTLET | — | 99 |
| DS1100 | GREEN | SOLID | BLACK BOX W/SINGLE OUTLET | | 99 |
| DS1100L | GREEN | SOLID | LID ONLY | VALVE BOX | 25/CS |
| DS1100S | GREEN | SOLID | BLACK BOX W/SINGLE OUTLET | "SEWER" | 99 |
| DS1100SL | GREEN | SOLID | LID ONLY | "SEWER" | 25/CS |
| DS1100W | GREEN | SOLID | BLACK BOX W/SINGLE OUTLET | "WATER" | 99 |
| DS1100WL | GREEN | SOLID | LID ONLY | "WATER" | 25/CS |
| DS1100ICV | GREEN | SOLID | BLACK BOX W/SINGLE OUTLET | "ICV" | 99 |
| DS1100NM | GREEN | SOLID | BLACK BOX W/SINGLE OUTLET | | 99 |
| DS1100LSW | GREEN | SOLID | LID ONLY | "SEWER" | |
| DS1100ICVL | GREEN | SOLID | LID ONLY | "ICV" | 25/CS |
| DS1100NHSL | GREEN | SOLID | LID ONLY | NO HOLE / "SEWER" | 25/CS |
| DS1100BLK | BLACK | SOLID | BLACK BOX W/SINGLE OUTLET | | 99 |
| DS1100IBW | BLACK | SOLID | BLACK BOX W/SINGLE OUTLET | "WATER" | 99 |
| DS1100LB | BLACK | SOLID | | | |
| DS1100LP | PURPLE | SOLID | | "RECLAIMED WATER" | |
| DS1100P | PURPLE | SOLID | BLACK BOX W/SINGLE OUTLET | "RECLAIMED WATER" | 99 |
| DS1100PBNL | PURPLE | SOLID | PURPLE BOX W/SINGLE OUTLET | "RECLAIMED WATER" | 99 |
| DS1100T | TAN | SOLID | BLACK BOX W/SINGLE OUTLET | | 99 |
| DS1100TL | TAN | SOLID | LID ONLY | | 25/CS |
| DS1100BLU | BLUE | SOLID | BLACK BOX W/SINGLE OUTLET | | 99 |
| DS1100BLUELID | BLUE | SOLID | LID ONLY | | 25/CS |



- Available in a variety of colors & markings
- Box & Lid Dimensions see page 3



Plug to prevent debris & dirt

| Part# | Size | Qty |
|--------|--------|---------|
| DS-MHS | 1-1/4" | 25 / bg |



DALLAS SPECIALTY & MFG. CO.

1161 RUGGLES ST GRAND PRAIRIE, TX 75050

972-641-8444 * 1-800-222-5644 * fax 972-641-8488

www.dallaspecialty.com

DS1000 Series

10" Rectangle Valve/ Meter Box

13-1/2" x 8-1/8" Rectangular x 10-1/4" Deep

- Used in sprinkler system applications, commercial and/or residential, for Water Meter Access, Piping System access, or other in-ground access needs
- Injection Molded. Made with materials: polypropylene, dyes & other additives
- Easy Snap-in/Snap-down lids for a tight flush fit & hole or reader door for easy access
- 2-3/4" Pipe Slot fits multiple pipe sizes



Material / Specifications

- Made in USA
- Injection Molded Boxes & Lids
- Polypropylene, dyes & other additives
- To prevent fading UV resins used in all Lids
- Customization available: colors, markings & finishes
- Box is tapered for easy nesting & stacking

Options / Additions

- Side Outlets: 2-1/8" pipe slot outlet
- Easy Snap-Down Lid for a tight flush fit
- Hole in lid for easy access
- Lids available in various colors
- Used in sprinkler system & in-ground yard access applications
- For water meters, valves & piping systems

| PART# | LID TYPE | LID COLOR | BOX / COLOR & TYPE | MARKINGS | PALLET |
|-------------|----------|-----------|---------------------------|-------------------|--------|
| DS1000B | | | BLACK BOX W/SINGLE OUTLET | | 96 |
| DS1000I | SOLID | GREEN | BLACK BOX W/SINGLE OUTLET | | 96 |
| DS1000SW | SOLID | GREEN | BLACK BOX W/SINGLE OUTLET | "WATER" MARKINGS | 96 |
| DS1000SL | SOLID | GREEN | LID ONLY | "SEWER" MARKINGS | 12/CS |
| DS1000IP-RW | SOLID | PURPLE | BLACK BOX W/SINGLE OUTLET | "RECLAIMED WATER" | 96 |
| DS1000R | READER | BLACK | BLACK BOX W/SINGLE OUTLET | | 96 |
| DS1000RL | READER | BLACK | LID ONLY | | 12/CS |
| DS1000BKI | SOLID | BLACK | BLACK BOX W/SINGLE OUTLET | | 96 |
| DS1000IL | SOLID | GREEN | LID ONLY | | 12/CS |
| DS1000IBSW | SOLID | BLACK | BLACK BOX W/SINGLE OUTLET | "SEWER" MARKINGS | 96 |
| DS1000IBSWL | SOLID | BLACK | LID ONLY | "SEWER" MARKINGS | 12/CS |



• Available in a variety of colors & markings



| BOX & LID DIMENSIONS | | | |
|----------------------|-------------------|-------------------|--------------|
| Lid / Flush Fit | | 13-1/2"x8-1/8"OD | 1-3/4" Deep |
| Lid / Base | 13"x7-9/16"ID | 13-5/8x8-1/8"OD | |
| Body / Top | 13-1/2"x8-3/8"ID | 15"x9-3/4"OD | |
| Body / Base | 16-1/2"x11-1/8"ID | 17-3/4"x12-5/8"OD | 10-1/4" Deep |
| Body / Depth | | | |
| Pipe Slots | 2-3/4" ID | | 3-1/2" Deep |

| PROPERTIES | ASTM | TEST VALUE |
|---------------------------------|--------|----------------|
| Tensile strength at yield | D-638 | 3480PSI |
| Density | D-792 | 0.918 |
| Durometer / Shore D | D-2240 | 0.825 |
| Deflection Temperature | D-648 | 200°F @ 66PSI |
| IZOD Impacted Notched at 23°C | D-256 | 1.05 ft lbs/in |
| IZOD Impacted Unnotched at 18°C | D-256 | 5.3 ft lbs/in |

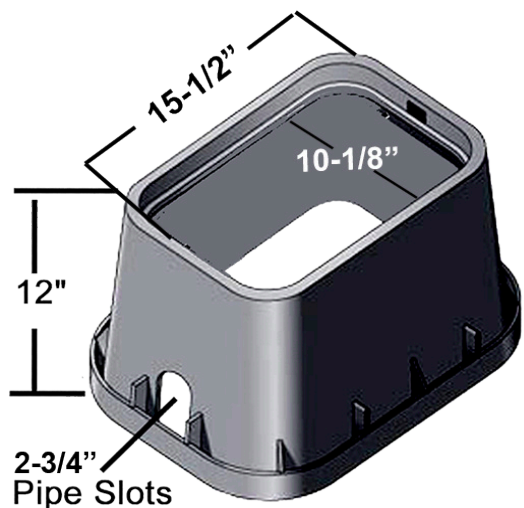
Independent Test Lab Results



DS1200 Series

12" Standard Rectangle Valve/ Meter Box

15-1/2" x 10-1/8" Rectangle x 12" Deep



DS1200I



DS1200R

Used in commercial & residential water meter access, sprinkler system applications or where in-ground access is needed to piping systems, valves or water meter. Meter Reader Door gives access to meter without removing the entire lid. Various lid markings available to identify components buried below and/or in the box.

Material / Specifications

- Made in USA
- Injection Molded Boxes & Lids
- Polypropylene, dyes & other additives
- To prevent fading UV resins used
- Customization available: colors, markings & finishes
- Box is tapered for easy nesting & stacking
- Lid tabs allow tight snap down seal
- Box outlets: 2-3/4" pipe slot, single or dual outlet available

Options / Additions

- Extension boxes available for 6" Rise (DS600 Series)
- Extension boxes available with or without lid (DS600 Series)
- Standard Lids: Snap-In Flush Fit Style for tight & secure fit
- Overlapping Lids available in various colors & styles
- Lids available in various colors & configurations
- Lids available with Touch Reader Hole or under lid bracket
- Locking lids prevent tampering
- Solid Cast Iron Lids available for limited traffic such as driveways, sidewalks and walkways

| BOX & LID DIMENSIONS | | | |
|----------------------|-------------------|-------------------|-------------|
| Lid / Flush Fit | 15-3/8"x10-1/8"OD | | 1-3/4" Tall |
| Lid /Overlapping | 16-1/4"x11" OD | 15-1/2"x10-1/4"ID | 1-1/2" Tall |
| Body / Top | 17-1/8"x11-7/8"OD | 15-1/2"x10-1/4"ID | 12" Tall |
| Body / Base | 21"x16-5/8"OD | 19-3/8"x14-5/8"ID | 12" Tall |
| Body / Depth | | | 12" Tall |
| Pipe Slots | | 2-1/4" ID | 3-1/2" Tall |

| PROPERTIES | ASTM | TEST VALUE |
|---------------------------------|--------|----------------|
| Tensile strength at yield | D-638 | 3480PSI |
| Density | D-792 | 0.918 |
| Durometer / Shore D | D-2240 | 0.825 |
| Deflection Temperature | D-648 | 200°F @ 66PSI |
| IZOD Impacted Notched at 23°C | D-256 | 1.05 ft lbs/in |
| IZOD Impacted Unnotched at 18°C | D-256 | 5.3 ft lbs/in |



Independent Test Lab Results

Available in a variety of colors & markings



DALLAS SPECIALTY & MFG. CO.

1161 RUGGLES ST GRAND PRAIRIE, TX 75050

972-641-8444 * 1-800-222-5644 * fax 972-641-8488

www.dallaspecialty.com



DS1200 Series

12" Rectangle Valve/ Meter Box 15-1/2" x 10-1/8" Rectangle x 12" Deep

OL= OVERLAPPING LID

DS1200BI



DS1200I



Irrigation/Plumbing Valve & Meter Boxes

Box Features

- Heavy Duty Solid Black Body
- Single Pipe Outlet (unless otherwise stated as "Dual Outlet Box")
- Box Body available in Green or custom colors
- Box outlets: 2-3/4" pipe slot, single or dual outlet available
- Made in USA

Lid Features

- Heavy Duty Solid Plastic Lid
- Snap-in / Snap-Down with plastic tabs
- Single finger hole in plastic lid style (for lid removal)
- Available in multiple colors & multiple lid markings
- Unless otherwise stated, lid markings are:
Solid Irrigation Style marked "VALVE BOX"
Plastic reader style lid marked: "METER BOX"

| DS PART # | LID COLOR | BOX & LID: STYLE, MARKING, ADDITIONS |
|------------------|-----------------|--|
| DS1200I | GREEN | ASSEMBLED W/ FLUSH STYLE SOLID PLASTIC LID |
| DS1200IL | GREEN | FLUSH STYLE SOLID PLASTIC LID ONLY |
| DS1200BI | BLACK | ASSEMBLED W/ FLUSH STYLE SOLID PLASTIC LID |
| DS1200IBL | BLACK | FLUSH STYLE SOLID PLASTIC LID ONLY |
| DS1200IBLUE | BLUE | ASSEMBLED W/ FLUSH STYLE SOLID PLASTIC LID |
| DS1200IBLUEL | BLUE | FLUSH STYLE SOLID PLASTIC LID ONLY |
| DS1200IBW | BLACK | ASSEMBLED W/ FLUSH STYLE SOLID PLASTIC LID - MARKED: WATER |
| DS1200IP | PURPLE | ASSEMBLED W/FLUSH STYLE SOLID PLASTIC LID - MARKED: RECLAIMED WATER |
| DS1200IPL | PURPLE | FLUSH STYLE SOLID PLASTIC LID ONLY - MARKED: RECLAIMED WATER |
| DS1200IS | GREEN | ASSEMBLED W/FLUSH STYLE SOLID PLASTIC LID - MARKED: SEWER |
| DS1200ISL | GREEN | FLUSH STYLE SOLID PLASTIC LID ONLY - MARKED "SEWER" |
| DS1200H-ICV | GREEN | ASSEMBLED W/FLUSH STYLE SOLID PLASTIC LID - MARKED: ICV |
| DS1200GREENI | GREEN | GREEN BODY ASSEMBLED W/FLUSH STYLE SOLID PLASTIC LID |
| DS1200IE | GREEN | ASSEMBLED W/FLUSH STYLE SOLID PLASTIC LID - MARKED: ELECTRICAL |
| DS1200IEL | GREEN | FLUSH STYLE SOLID PLASTIC LID ONLY - MARKED: ELECTRICAL |
| DS1200IBE | BLACK | ASSEMBLED W/FLUSH STYLE SOLID PLASTIC LID - MARKED: ELECTRICAL |
| DS1200EBI | BLACK | ASSEMBLED W/FLUSH STYLE SOLID PLASTIC LID - MARKED: ELECTRICAL W/BOLT LOCK |
| DS1200EIBL | BLACK | FLUSH STYLE SOLID PLASTIC LID - MARKED: ELECTRICAL |
| DS1200IBLUWTRH | BLUE | ASSEMBLED W/FLUSH STYLE SOLID PLASTIC LID WITH 2" TOUCH READ HOLE |
| DS1200IBLUWTRH-L | BLUE | FLUSH STYLE SOLID PLASTIC LID ONLY WITH 2" TOUCH READ HOLE |
| DS1200IOP | PURPLE | ASSEMBLED W/OVERLAPPING STYLE SOLID PLASTIC LID |
| DS1200IOPL | PURPLE | OVERLAPPING STYLE SOLID PLASTIC LID ONLY |
| DS1200IO | GREEN | ASSEMBLED W/OVERLAPPING STYLE SOLID PLASTIC LID |
| DS1200IGOVL | GREEN | OVERLAPPING STYLE SOLID PLASTIC LID ONLY |
| DS1200IBO | BLACK | ASSEMBLED W/OVERLAPPING STYLE SOLID PLASTIC LID |
| DS1200IBSOL | BLACK | OVERLAPPING STYLE SOLID PLASTIC LID ONLY |
| DS1200IOAMR | BLACK | ASSEMBLED W/OVERLAPPING STYLE SOLID PLASTIC LID W/1-AMR BRACKET |
| DS1200BIOAMRL | BLACK | OVERLAPPING STYLE SOLID PLASTIC LID ONLY W/1-AMR BRACKET |
| DS1200IOBLU | BLUE | ASSEMBLED W/OVERLAPPING STYLE SOLID PLASTIC LID |
| DS1200SCI | SOLID CAST IRON | ASSEMBLED W/OVERLAPPING STYLE SOLID CAST IRON LID - FOR LIGHT TRAFFIC |
| DS1200SCIL | SOLID CAST IRON | OVERLAPPING STYLE SOLID CAST IRON LID ONLY - FOR LIGHT TRAFFIC |

Continued on next page / Box & Lid Dimensions see page 6



DALLAS SPECIALTY & MFG. CO.

1161 RUGGLES ST GRAND PRAIRIE, TX 75050

972-641-8444 * 1-800-222-5644 * fax 972-641-8488

www.dallaspecialty.com



DS1200 Series

12" Rectangle Valve/ Meter Box

15-1/2" x 10-1/8" Rectangle x 12" Deep

OL= OVERLAPPING LID



DS1200IOP

Continued.....

| DS PART # | LID COLOR | BOX & LID: STYLE, MARKINGS, ADDITIONS |
|----------------|-----------------------|---|
| DS1200R | BLACK | ASSEMBLED W/FLUSH STYLE METER READER PLASTIC LID |
| DS1200RL | BLACK | FLUSH STYLE METER READER PLASTIC LID ONLY |
| DS1200R2 | BLACK | DUAL-OUTLET BOX ASSEMBLED W/FLUSH STYLE METER READER PLASTIC LID |
| DS1200RBLUE | BLUE | ASSEMBLED W/FLUSH STYLE METER READER PLASTIC LID |
| DS1200RBLUELID | BLUE | FLUSH STYLE METER READER PLASTIC LID ONLY |
| DS1200CIR | BLACK W/CI READER | ASSEMBLED W/FLUSH STYLE PLASTIC LID WITH CAST IRON METER READER DOOR |
| DS1200CIRL | BLACK W/CI READER | FLUSH STYLE METER READER PLASTIC LID ONLY WITH CAST IRON METER READER DOOR |
| DS1200PCIR | PURPLE W/CI READER | ASSEMBLED W/FLUSH STYLE PLASTIC LID WITH CAST IRON METER READER DOOR |
| DS1200PCIRL | PURPLE W/CI READER | FLUSH STYLE PLASTIC METER READER LID ONLY W/SOLID CI READER DOOR |
| DS1200CIRWTRH | BLACK W/CI READER | ASSEMBLED W/FLUSH STYLE PLASTIC LID WITH CAST IRON METER READER DOOR & 2" TOUCH READ HOLE |
| DS1200CIRLWTRH | BLACK W/CI READER | FLUSH STYLE PLASTIC METER READER LID ONLY W/SOLID CI READER DOOR & 2" TOUCH READ HOLE |
| DS1200CIRO | BLACK W/CI READER | ASSEMBLED W/OVERLAPPING STYLE SOLID PLASTIC LID W/CI READER DOOR |
| DS1200CIROL | BLACK W/CI READER | OVERLAPPING STYLE SOLID PLASTIC LID ONLY W/CI READER DOOR |
| DS1200SCIR | SOLID CI W/ CI READER | ASSEMBLED W/OVERLAPPING STYLE SOLID CAST IRON LID W/SOLID CI READER DOOR |
| DS1200SCIRL | SOLID CI W/ CI READER | OVERLAPPING STYLE SOLID CAST IRON LID W/SOLID CI READER DOOR FOR LIGHT TRAFFIC |
| DS1200RWTRH | BLACK | ASSEMBLED W/FLUSH STYLE METER READER PLASTIC LID WITH 2" TOUCH READ HOLE |
| DS1200RP | PURPLE | ASSEMBLED W/FLUSH STYLE METER READER PLASTIC LID - MARKED: RECLAIMED WATER |
| DS1200RPL | PURPLE | FLUSH STYLE METER READER PLASTIC LID ONLY |
| DS1200RO | BLACK | ASSEMBLED W/OVERLAPPING STYLE METER READER PLASTIC LID |
| DS1200ROL | BLACK | OVERLAPPING STYLE METER READER PLASTIC LID ONLY |
| DS1200ROAMR | BLACK | ASSEMBLED W/OVERLAPPING STYLE METER READER PLASTIC LID W/1-AMR BRACKET |
| DS1200RBO | BLUE | ASSEMBLED W/OVERLAPPING STYLE METER READER PLASTIC LID |
| DS1200RBOL | BLUE | OVERLAPPING STYLE METER READER PLASTIC LID ONLY |



Box & Lid Dimensions see page 6

DS600 Series

DS1200 Rectangular Extension

15-1/2" x 10-1/8" x 6-7/8"

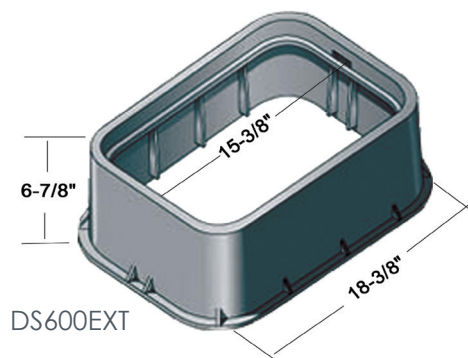
Box Features

- Fits over DS1200 Body for 6" rise
- Available with or without lid
- Available with or without Pipe Outlets
- Made in USA



| PART# | BOX COLOR | SIDE OUTLETS | LID COLOR | LID STYLE | PALLET |
|------------|-----------|--------------|-----------|-----------|--------|
| DS600EXT | BLACK | NONE | | | 48 |
| DS600EXTIB | BLACK | NONE | SOLID | SOLID | 48 |
| DS600EIL | BLACK | NONE | GREEN | SOLID | 48 |
| DS600I | BLACK | SINGLE | GREEN | SOLID | 48 |
| DS600B | BLACK | SINGLE | | | 48 |
| DS600R | BLACK | SINGLE | BLACK | READER | 48 |
| DS600SCI | BLACK BOX | SINGLE | CAST IRON | SOLID | 48 |

DS600 fits over top of DS1200 box for a 6" rise



DALLAS SPECIALTY & MFG. CO.

1161 RUGGLES ST GRAND PRAIRIE, TX 75050

972-641-8444 * 1-800-222-5644 * fax 972-641-8488

www.dallasspecialty.com

DS1500 Series

12" Jumbo Rectangle Valve/Meter Box

22" x 17" Rectangular x 12" Deep

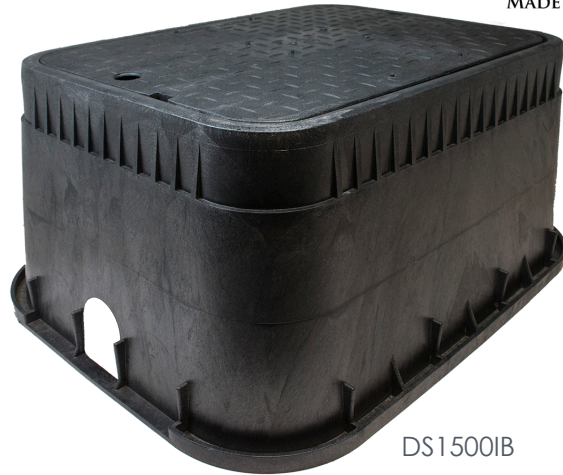
- For commercial or residential water meter access, sprinkler system applications, piping systems for in-ground piping systems, valve & meter access.
- Injection Molded. Made with materials: polypropylene, dyes & other additives
- Available with one standard pipe slot or dual outlets for multiple pipes
- Easy Snap-Down Lids for tight flush fit. Available in multiple colors.
- Solid Cast Iron Lids available for limited traffic: driveways, sidewalks & walkways
- Extension boxes available for 6" Rise
- Extension boxes available with or without lid
- Box is tapered for easy nesting & stacking
- To prevent fading UV resins used in all Lids



DS1500R



DS1500I



DS1500IB

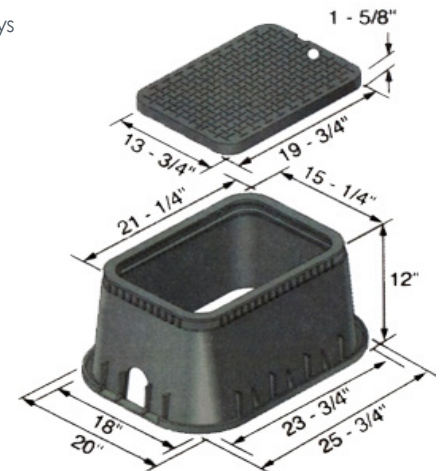
Material / Specifications

- Made in USA
- Injection Molded Boxes & Lids
- Polypropylene, dyes & other additives
- To prevent fading UV resins used
- Customization available: colors, markings & finishes
- Box is tapered for easy nesting & stacking
- Lid tabs allow tight snap down seal
- Box outlets: 2-3/4" pipe slot, single or dual outlet available

Options / Additions

- Extension boxes available for 6" Rise (DS750 Series)
- Extension boxes available with or without lid (DS750 Series)
- Standard Lids: Snap-In Flush Fit Style for tight & secure fit
- Overlapping Lids available in various colors & styles
- Lids available in various colors & configurations
- Solid Cast Iron Lids available for limited traffic such as driveways, sidewalks and walkways

| BOX & LID DIMENSIONS | | | |
|----------------------|-------------------|-------------------|----------|
| LID & BOX | OD DIMENSION | ID DIMENSION | HEIGHT |
| Lid / Flush Fit | 13 7/8" x 19 3/4" | | 1 1/2" |
| Body / Top | 15 1/2" x 21 1/4" | 14 1/8" x 19 3/4" | 12" TALL |
| Body / Base | 19 3/4" x 25 7/8" | 17 3/4" x 23 3/4" | 12" TALL |
| Pipe Slots | | 2 1/2" | 3 1/4" |



DALLAS SPECIALTY & MFG. CO.

1161 RUGGLES ST GRAND PRAIRIE, TX 75050

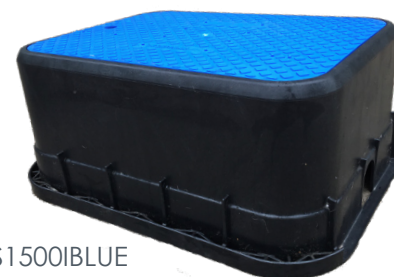
972-641-8444 * 1-800-222-5644 * fax 972-641-8488

www.dallaspecialty.com

DS1500 Series

12" Jumbo Rectangle Valve/Meter Box

22" x 17" Rectangular x 12" Deep



DS1500BLUE

| PART# | BOX TOP ID | LID OD | BOX COLOR & TYPE | LID COLOR & TYPE | MARKINGS | PALLET |
|----------------|-------------------|-------------------|-----------------------|------------------|-------------|--------|
| DS1500I | 14-7/8" x 20-5/8" | | BLACK BOX | SOLID GREEN | | 32 |
| DS1500IB | 14" x 19-3/4" | | BLACK BOX | SOLID BLACK | | 32 |
| DS1500IWLOC | 14-7/8" x 20-5/8" | | BLACK BOX | SOLID BLACK | WITH LOCK | 32 |
| DS1500R | 14" x 19-3/4" | | BLACK BOX | BLACK READER | | 32 |
| DS1500SCI | 14-7/8" x 20-5/8" | | BLACK BOX | SOLID CAST IRON | | 32 |
| DS1500B | 14" x 19-3/4" | | BLACK BOX | | | 32 |
| DS1500B2 | 14" x 19-3/4" | | BLACK DUAL OUTLET BOX | | | 32 |
| DS1500BWTRH | 14" x 19-3/4" | | BLACK BOX | SOLID BLACK | W/2"TR HOLE | 32 |
| DS1500B2WAMR | 14-7/8" x 20-5/8" | | BLACK DUAL OUTLET BOX | SOLID BLACK | W/ AMR | 32 |
| DS1500B2W2AMR | 14-7/8" x 20-5/8" | | BLACK DUAL OUTLET BOX | SOLID BLACK | W/ 2 AMR'S | 32 |
| DS1500B2 | 14" x 19-3/4" | | BLACK DUAL OUTLET BOX | SOLID BLACK | | 32 |
| DS1500I2 | 14" x 19-3/4" | | BLACK DUAL OUTLET BOX | SOLID GREEN | | 32 |
| DS1500CIR | 14-7/8" x 20-5/8" | | BLACK BOX | BLACK READER | CI READER | 32 |
| DS1500CIR2 | 14-7/8" x 20-5/8" | | BLACK DUAL OUTLET BOX | BLACK READER | CI READER | 32 |
| DS1500RWTRH | 14" x 19-3/4" | | BLACK BOX | BLACK READER | W/2"TR HOLE | 32 |
| DS1500R2 | 14" x 19-3/4" | | BLACK DUAL OUTLET BOX | BLACK READER | | 32 |
| DS1500RBLUE | 14-7/8" x 20-5/8" | | BLACK BOX | BLUE READER | | 32 |
| DS1500IBL | | 13-7/8" x 19-5/8" | | SOLID BLACK | | 10/CS |
| DS1500IL | | 14-7/8" x 20-5/8" | | SOLID GREEN | | 10/CS |
| DS1500IBWLOCL | | 14-7/8" x 20-5/8" | | SOLID BLACK | WITH LOCK | 5/CS |
| DS1500IBLUELID | | 14-7/8" x 20-5/8" | | SOLID BLUE | | 10/CS |
| DS1500CIRL | | 14-7/8" x 20-5/8" | | BLACK READER | CI READER | 5/CS |
| DS1500SCIL | | | | SOLID CAST IRON | | EA |
| DS1500RBLUELID | | 14-7/8" x 20-5/8" | | BLUE READER | | 10/CS |



DS750E

DS750 Series

Jumbo Meter Box Extension

19-7/8" x 13-7/8" x 6-5/8"

| PART# | BOX / COLOR & TYPE | SIDE HOLES | HEIGHT | PALLET |
|--------|----------------------|------------|--------|--------|
| DS750E | BLACK EXT. NO OUTLET | NO | 6-5/8" | 40 |
| DS750I | BLACK EXT. NO OUTLET | NO | 6-5/8" | 40 |

DS750 fits over top of DS1500 box for a 6" rise



DALLAS SPECIALTY & MFG. CO.

1161 RUGGLES ST GRAND PRAIRIE, TX 75050

972-641-8444 * 1-800-222-5644 * fax 972-641-8488

www.dallaspecialty.com

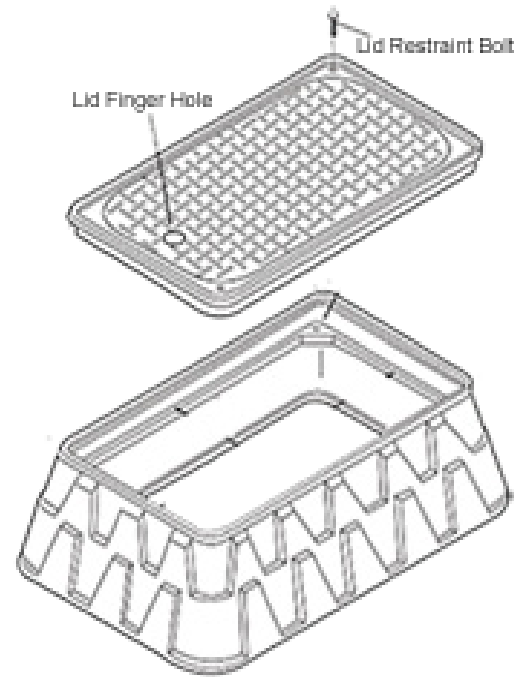


DS1730 Series

Super Jumbo Rectangle Valve/ Meter Box

12", 18" or 24" Deep

- Extra Large Access Box for commercial in-ground access to piping systems, valves, pumps & meters.
- Available in (3) Depths 12", 18" & 24"
- Heavy Duty, Strong & Durable
- Injection Moulded
- Made of polypropylene, dyes & other additives
- Slightly Tapered for stacking
- To prevent fading UV resins used in all Lids



Irrigation/Plumbing Valve & Meter Boxes

| PART# | LID TYPE / COLOR | TOP ID DIMENSIONS | BASE ID DIMENSIONS | LID OD DIMENSIONS | PALLET QTY |
|------------|------------------|-----------------------------|--------------------|----------------------|------------|
| DS1730I-12 | SOLID BLACK | 30-3/4" x 17-3/4" ID | 31" x 13-1/2" | 30-1/4" x 17-1/4" OD | 12 |
| DS1730I-18 | SOLID BLACK | 30" x 16-3/4" ID | 34" x 23" | 29-1/2" x 16-1/4" OD | 8 |
| DS1730I-24 | SOLID BLACK | 29-3/4" x 17-3/8" ID | 35" x 23" | 29-1/4" x 16-7/8" OD | 6 |
| DS1730IL | SOLID GREEN | Specify for which depth box | | LID ONLY | * |
| DS1730IBSL | SOLID BLACK | Specify for which depth box | | LID ONLY | * |



1161 RUGGLES ST
GRAND PRAIRIE, TX 75050

P: 972-641-8444 / P: 800-222-5644
www.dallaspecialty.com

Fax: 972-641-8488
Email: ds@dalspc.com



122020

1161 RUGGLES ST
GRAND PRAIRIE, TX 75050

P: 972-641-8444 / P: 800-222-5644
www.dallasspecialty.com

Fax: 972-641-8488
Email: ds@dalspc.com