



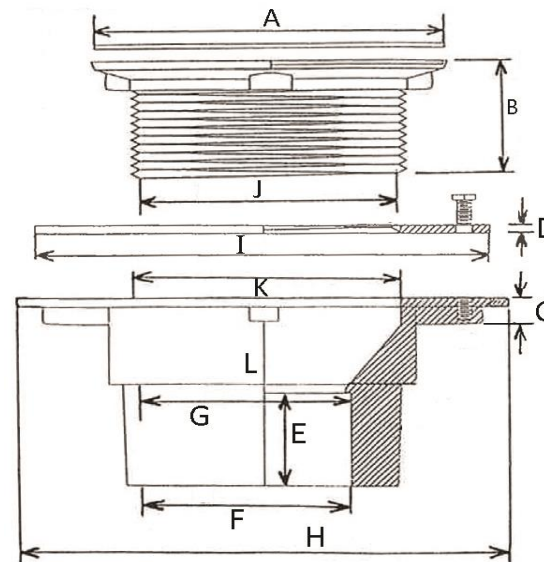
DALLAS SPECIALTY & MFG. CO.

1161 RUGGLES ST, GRAND PRAIRIE, TX 75050
1-800-222-5644

SPECIFICATIONS

PART# **DD23T PVC**

PVC, Compression fit, 4-Bolt Shower Drain with Round Adjustable Strainer & Round Stainless Steel Metal Grate



DRAIN SPECIFICATIONS			
A	4-1/4"	G	3-3/16"
B	2"	H	7"
C	3/8"-7/8"	I	6"
D	.266"	J	3-1/8"
E	1-1/2"	K	3-1/2"
F	2" GSK. (IPS)	L	15/16"

SPECIFICATIONS: STAINLESS STEEL BOLTS, BRASS INSERTS, STAINLESS STEEL GRATES.

DIMENSIONS		Compression, Bolt-Down Drain for tiled showers or floor drain applications. Comes with Round Adjustable Strainer the DD23T Dal-Drain fits over 2" and inside 3" PVC Pipe PART# <i>DD23T PVC</i>			
Overall Strainer	4-3/8" Dia				
SS 1/4" Bolts	Qty 4				
Body	White PVC				
Flat Ring	White PVC				
Min/Max.ADJ	7/8" - 2"				
Gasket	Flexible PVC				
Metal grate (actual)	4-1/4"	ASTM#	UPC LISTED	IAPMO LISTED	
Case qty	18	D-2665			



Drain comes assembled with S.S. Snap-in Grate which is standard. Adjustable Strainer is grey to match stainless steel grate, also available in brown to match oilrubbed bronze grates.