



**DALLAS SPECIALTY
& MFG. CO.**

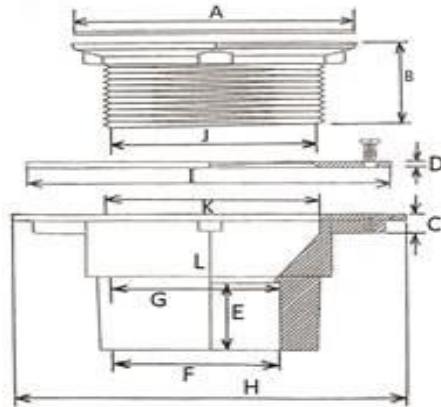
1161 RUGGLES ST - GRAND PRAIRIE, TX-75050

1-800-222-5644 / FAX 972-641-8488

www.dallasspecialty.com

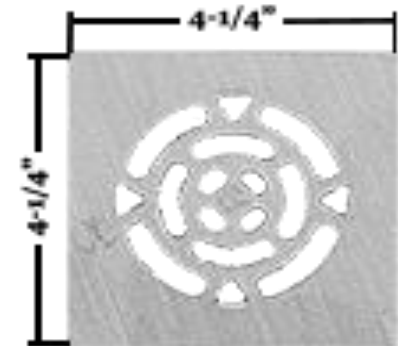
DD2T SQ Square Top, Push-on

(Gasketed) Bolt-Down Shower Drain for Tile Showers



DRAIN SPECIFICATIONS			
A	4-1/4"	G	3-3/16"
B	2"	H	7"
C	3/8"-7/8"	I	6"
D	.266"	J	3-1/8"
E	1-1/2"	K	3-1/2"
F	2" GSK. (IPS)	L	15/16"

SPECIFICATIONS: STAINLESS STEEL BOLTS, BRASS INSERTS, STAINLESS STEEL GRATES.



DIMENSIONS		* No Caulk Gasketed Bolt-Down Drain with Adjustable Strainer			
Overall SQ Strainer	4-1/4" Square	* The DD2T SQ - Dal-Drain fits over 2" CI, PVC, ABS or STEEL Pipe			
SS Bolts 1/4"	4 Bolts				
Body	White PVC				
Flat Ring	White PVC	* Also Fits inside 4" Pipe w/o gasket			
Min/Max.ADJ	7/8" - 2"				
Gasket	DSG-210	PART #DD2T SQ			
Metal grate (actual)	4-1/4" x 4-1/4"	ASTM	ASTM	UPC	IAMPO
Case qty	18	D-5926	D-2665	listed	listed
		Gasket			



Snap-in Grate is standard, specify screw type grate for ceramic tile or marble showers. Drain is assembled with gasket # DSG-210