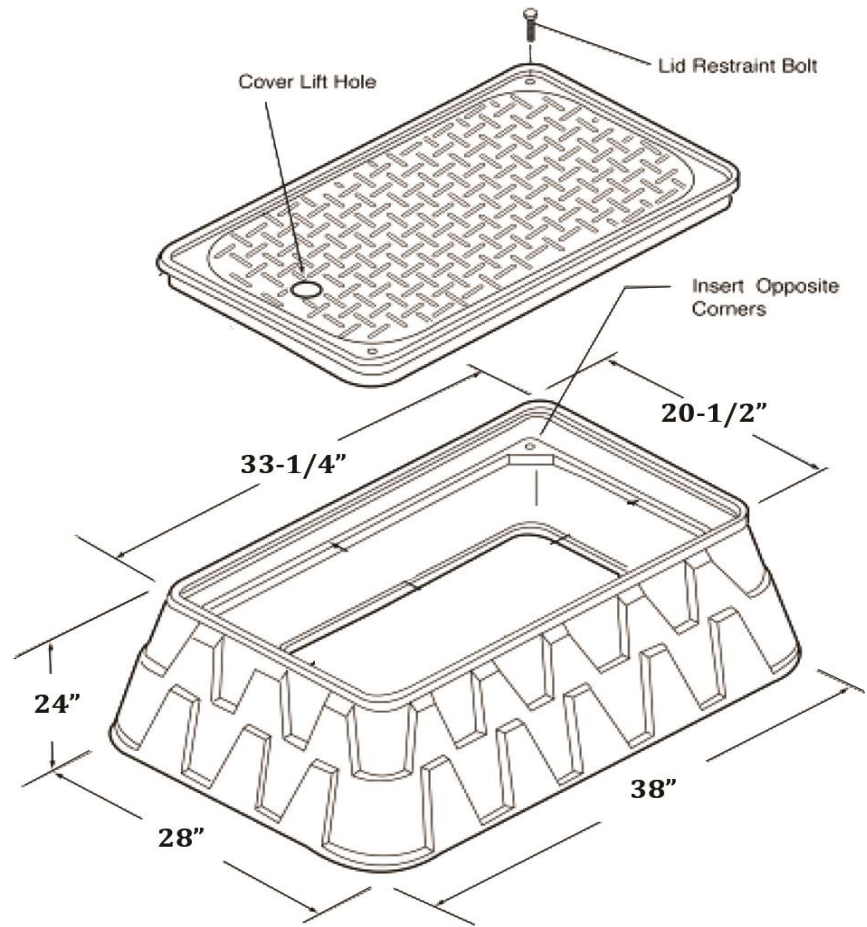






® DALLAS SPECIALTY & MFG. CO.

1161 RUGGLES ST, GRAND PRAIRIE, TX 75050
1-800-222-5644

SPECIFICATIONS



Properties / Test Value		DS1730I-24
Tensile Strength	3480 PSI	
Density	0.918	
Durometer	0.825	
Flexual Stregth	255-300 PSI	Super Jumbo Meter Box with single Outlet and Solid Black Lid
Meets ASTM	Multiple	
Pallet Qty	4	ASTM D638 / D792 / D2240 / D790 / D256
Deflection emp	200 F	 
IZOD / 23C	1.05' lbs/in	
IZOD / 18C	5.3' lbs/in	

Dallas Specialty & Mfg Co.
Valve & Meter Boxes