

PLASTIC SEWER LATERAL CLEANOUT

Plastic C/O w Cast Iron Lid

Plastic C/O w Plastic Lid

Sidewalk / Light Traffic Rated and/or Yard/Turf Installation

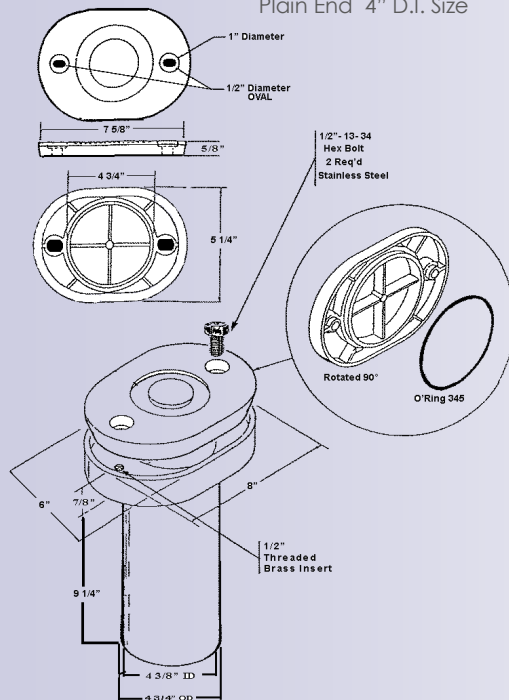
Preferred yard / Planter Installation

Plain End 4" D.I. Size

DS51-44 Flex Cplg 4" connects to PVC, C.I., SDR-35

Preferred yard / Planter Installation

Cleanout Slips over SDR-35 Pipe



Test Results: 4/18/2002 By Universal Laboratory Inc.	
Load Test per ASTM D2412	complies
Impact Test per ASTM D2444	complies
Markings	complies
Materials: P.P./S.S./Brass	complies
Dimensions	complies

The Cleanout has Stainless Steel Bolts for lockdown. Its preferred over conventional caps or plugs. The lid has an O-ring seal for protection from sewer gas escaping. The Threaded Brass Inserts allow the lid to be removed and replaced over and over and maintaining a tight seal every time. This allows for an easy cleanout with a tamperproof lid.

Installation Instructions

The cleanout is made of polypropylene and can not be solvent welded. Use a flexible coupling with stainless steel band at 60 in pound torque. The inside of cleanout will slip over SDR-35 pipe.

Part#	Size	Description	Qty
DS4SLCO	4"	Sewer Lateral Cleanout	24
DS4SLCOA	4"	Sewer Lateral Cleanout w/ Flex Cplg	18
DS12-13-34	1/2" x 3/4"	Stainless Steel Bolts	Bulk
DS2-345	4 3/8" X 4" ID	N-70 O-rings for Sewer Lateral Cleanout Lid	Bulk
DS4SLCOT	4"	Plastic Sewer Lateral Cleanout Lid Only w/ bolts	Bulk
DS4COL	4"	Plastic Lid Only	Bulk
DS4SLCOWDI	4"	Plastic Sewer Lateral Cleanout with Solid C.I. Lid	Bulk

NOTE: 4" Plastic Sewer Lateral Cleanout fits over SDR-35 Pipe for adjustment.



DALLAS SPECIALTY & MFG. CO.

1161 RUGGLES ST GRAND PRAIRIE, TX 75050

972-641-8444 * 1-800-222-5644 * fax 972-641-8488



www.dallasspecialty.com